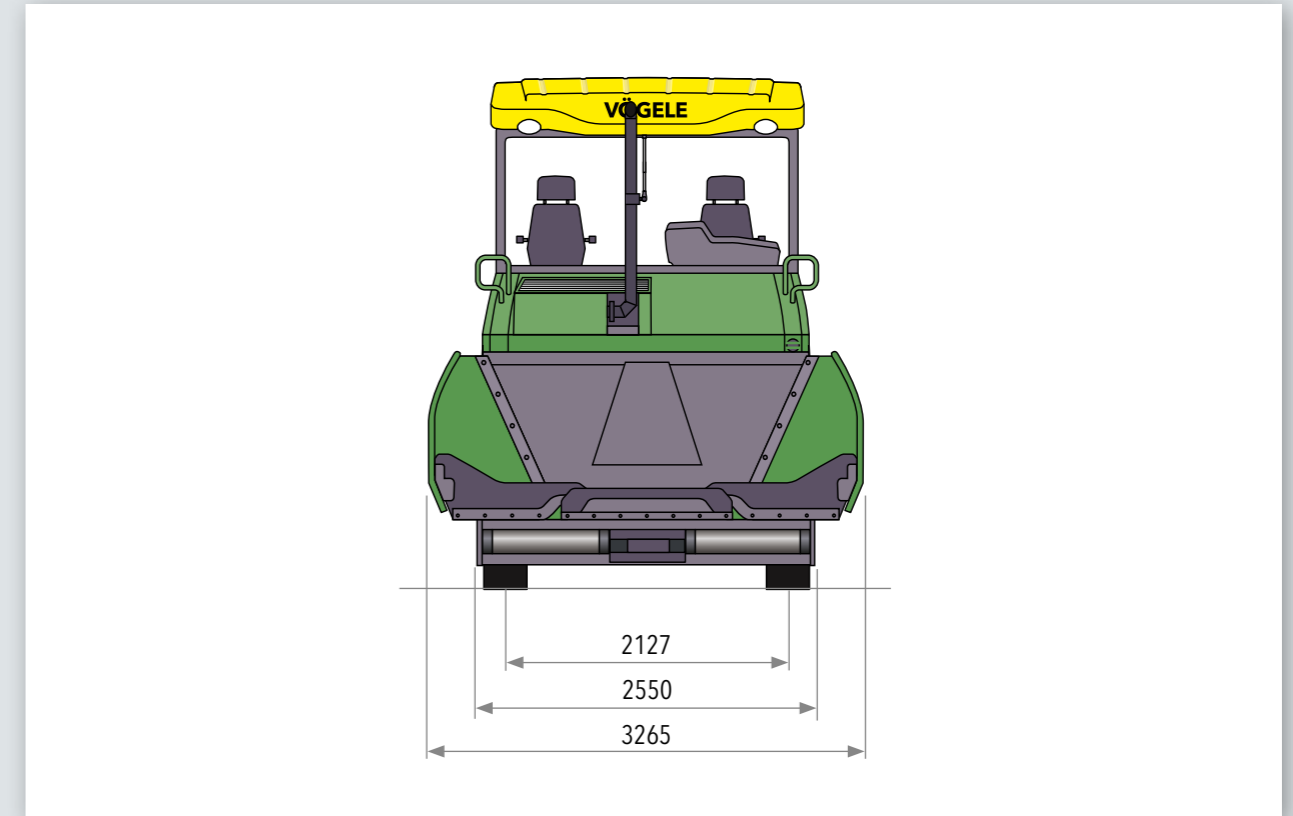
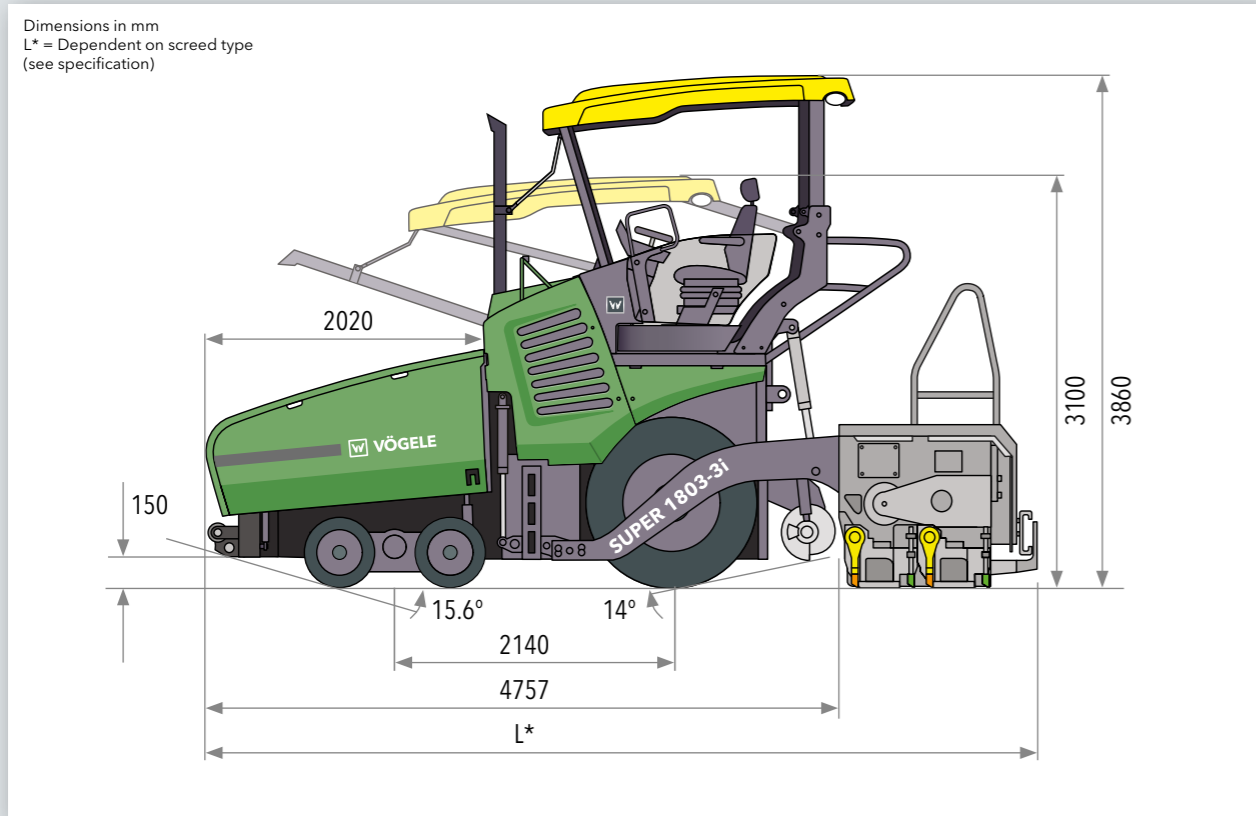


# All the facts at a glance



Power unit	
<b>Engine</b>	6-cylinder diesel engine, liquid-cooled
Manufacturer	Cummins
Type	OSB6.7-C164
<b>Output</b>	
Nominal	125kW at 2,000rpm (according to DIN)
ECO mode	121kW at 1,700rpm
<b>Exhaust emissions standard</b>	EU Stage 4, US EPA Tier 4f
Exhaust gas after-treatment	DOC, SCR
<b>Emission data</b>	
Sound power level	≤108 dB(A) (2000/14/EC and DIN EN 500-6)
Daily noise exposure level	>80 dB(A) (DIN EN 500-6)
<b>Fuel tank</b>	215 litres

Undercarriage	
<b>Front wheels</b>	4, mounted on bogies (oscillating axle)
Tyre equipment	solid tyres
Tyre size	540/300 - 390mm
<b>Rear wheels</b>	2, pneumatic tyres, tubeless
Tyre size	14.00 R 25
<b>Drive</b>	separate hydraulic drive provided for each wheel
Standard	2 rear wheels and 2 front wheels powered
Option	2 rear wheels and 4 front wheels powered (all-wheel drive)
<b>Speeds</b>	
Paving	up to 18m/min., infinitely variable
Travel	up to 20km/h, infinitely variable
<b>Outside turning radius</b>	3.5m (with Pivot Steer)
Material hopper	
<b>Hopper capacity</b>	13t
<b>Width</b>	3,265mm
<b>Feed height</b>	590 mm (centre of material hopper)
<b>Push-rollers</b>	oscillating
Position	can be adjusted lengthwise by 75mm or 150mm

Conveyors and augers	
<b>Conveyors</b>	2, with replaceable feeder bars, conveyor movement reversible for a short time
Drive	separate hydraulic drive provided for each conveyor
Speed	up to 33m/min., infinitely variable (manual or automatic)
<b>Augers</b>	2, with replaceable auger blades, auger rotation reversible
Diameter	400mm
Drive	separate hydraulic drive provided for each auger
Speed	up to 84rpm, infinitely variable (manual or automatic)
Height	infinitely variable by 15cm, hydraulic, lowest position 10cm above the ground
<b>Lubrication</b>	centralized lubrication system with electrically driven grease pump

Screed options		
<b>AB 500</b>	basic width	2.55m
	infinitely variable range	2.55m to 5m
	maximum width (TV/TP1)	8m
<b>AB 600</b>	basic width	3m
	infinitely variable range	3m to 6m
	maximum width (TV)	8m
<b>Screed versions</b>	TV, TP1 (AB 500)	
<b>Layer thickness</b>	up to 30cm	
<b>Screed heating</b>	electric by heating rods	
Power supply	three-phase A.C. generator	
Dimensions (transport) and weights		
<b>Length</b>	tractor unit and screed	
AB 500/AB 600	TV	6.04m
AB 500	TP1	6.17m
<b>Weights</b>	tractor unit and screed	
AB 500 TV	pave widths up to 5m	17.8t
	pave widths up to 8m	20.3t

**Key:** DOC = Diesel Oxidation Catalyst  
AB = Extending Screed  
SCR = Selective Catalytic Reduction  
TV = with tamper and vibrators  
TP1 = with tamper and 1 pressure bar

Subject to technical modification.